



# S100x100 & S110x130

## BLINDSPACE® S SERIES DATASHEET

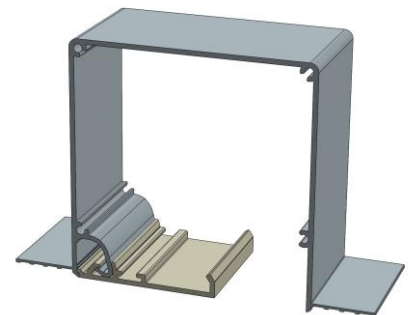
### Standard solutions to conceal blinds in windows and doors

Blindspace S Series consists of slim extruded aluminium boxes to be hidden inside a wall or ceiling, to house vertical blinds. The back box is installed during construction and the cover is either powder coated or painted at site to match the interior perfectly.

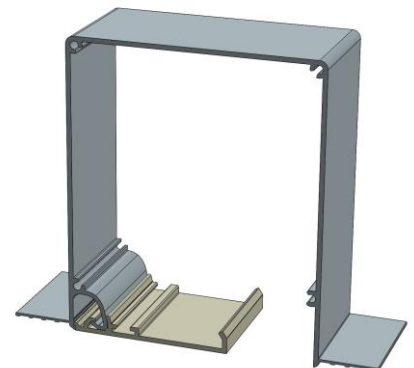
The S Series is available in two sizes. We always recommend going for a bigger box as it provides more flexibility, options for blinds and ease of blind installation.

Size	Example blind
100x100mm	Roller blind up to 2.8m wide and 2.9m high*
110x130mm	Roller blind up to 4.0m wide and 3.8m high* Cellular blind up to 2.2m wide and 2.2m high*

\* Blind sizes will depend on blind products used including hardware and fabric. Verify the box size you will need with your local blind specialist.

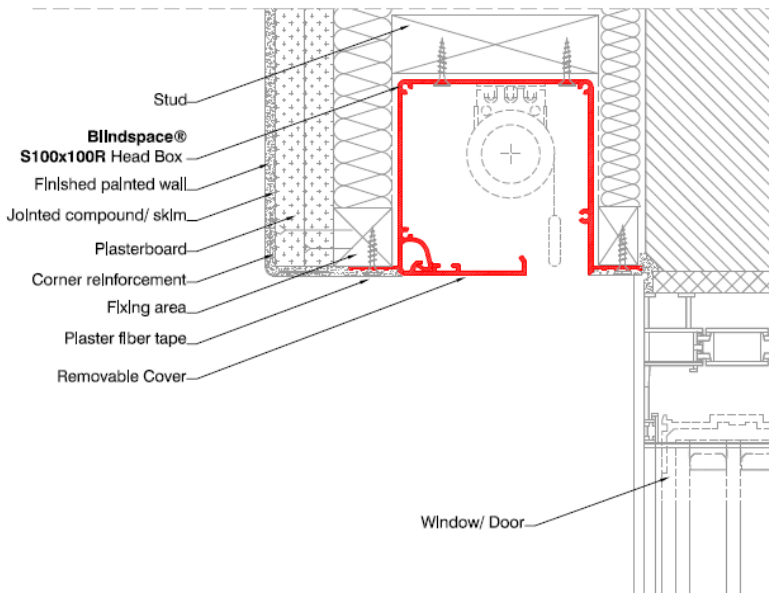


S100x100R

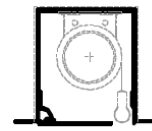


S110x130R

## Sample installation



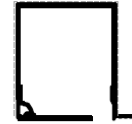
## Flange options



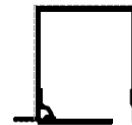
**R** - Regular two skim coat flanges



**N** - No skim coat flanges



**I** - Flange at the idle corner side



**H** - Flange at the hinge corner side

## Specification details

<b>Manufacturer</b>	Blindspace Web: <a href="http://www.blindspace.com">www.blindspace.com</a> Email: <a href="mailto:info@blindspace.com">info@blindspace.com</a> Tel: +44 20 8798 3945
<b>Description</b>	Concealment system in aluminium to future-proof windows and doors for future installation of vertical blinds.
<b>Benefits</b>	<ul style="list-style-type: none"> <li>• Plaster is feathered over flanges to produce seamless appearance after painting.</li> <li>• Cover can be painted to match window or ceiling</li> <li>• Cover hinge safety feature holding the cover when open</li> <li>• Alignment of boxes and covers</li> <li>• Rapid, economic installation</li> <li>• Supplied by manufacturer cut to finished length fitted with end caps</li> <li>• Choice of size. Specials available.</li> </ul>
<b>Product ref</b>	Blindspace S100x100 R/N/I/H Example: 'Blindspace S100x100N' for no flanges. Blindspace S110x130 R/N/I/H
<b>Material</b>	Anodized Aluminium, EN 6063 T6
<b>Finish</b>	<ul style="list-style-type: none"> <li>• Powder coated white RAL9003</li> <li>• Unfinished for site painting</li> <li>• Pre-finished to specific RAL colour</li> </ul>
<b>Accessories</b>	<ul style="list-style-type: none"> <li>• End caps</li> <li>• Splice pins</li> <li>• Splice plates</li> </ul>
<b>Installation</b>	Box should be fixed on both sides. Stud or other solid structure above box. Finished plaster level flush with chamfered edge. Anchoring countersink screws through skim coat flanges are recommended.