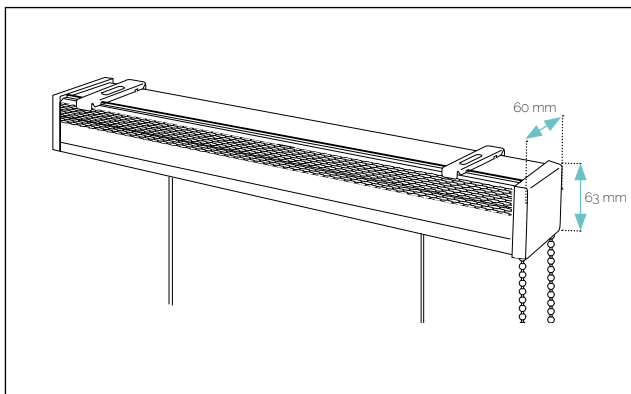


S H A D I N G
S P E C I A L I S T S

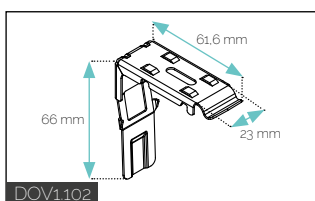
Tel: 0208 421 6605

sales@shadingspecialists.co.uk

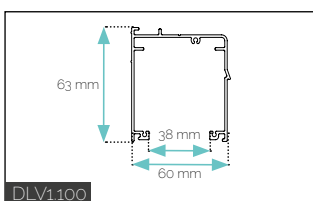
EXTREMA ELECTRO 12V - 220V



- Electrical roman shade system 12V (with Diaz motor with integrated battery) or 220V
- Suitable for heavy fabrics and large sizes
- Universal bracket
- Tube motors 12V or 220V are in cassette



UNIVERSAL BRACKET



PROFILE

MINIMUM AND MINIMUM SIZES

	MIN. WIDTH (CM)	MAX. WIDTH (CM)	MAX. HEIGHT (CM)	MAX. KG
DIAZ 12V	73.5	350	350	10
DIAZ 220V WITH SWITCH	54.5	550	550	15
DIAZ 220V WITH REMOTE CONTROL	66.5	550	550	15
SOMFY 220V WITH SWITCH	54.5	550	550	15
SOMFY 220V WITH REMOTE CONTROL	58.5	550	550	15

PRICE EXTREMA WITHOUT MOTOR

WIDTH (CM)	CYLINDERS	BRACKETS	PRICE WITHOUT COMPONENTS	PRICE WITH FG 6 MM	PRICE WITH ALU 8 MM	PRICE WITH ALU 5 MM
75	2	2	276	316	320	338
100	3	3	301	344	350	375
125	3	3	309	356	362	394
150	3	3	319	366	376	413
175	4	4	343	395	404	449
200	4	4	352	406	418	469
225	5	5	377	435	447	505
250	5	5	385	447	460	524
275	6	6	409	474	490	560
300	6	6	419	486	502	580
325	7	7	426	497	516	598
350	7	7	451	526	544	633
375	8	8	460	537	558	654
400	8	8	469	550	570	672
425	9	9	493	578	600	709
450	9	9	501	589	614	729
475	10	10	527	617	644	763
500	10	10	534	628	656	783
525	10	10	544	640	669	804
550	10	10	567	668	699	838

Standard we deliver fiberglass tubes 6 mm and alu bottom profile 20 x 6 mm.

If you want something else, please indicate it on the order form.

We always deliver the transparent rings (DOV907) and cord ends (DOV912) with systems with accessories.

For the prices for electric operation, see part automation

- All the intermediate sizes are rounded up to above
- Eventual friction loss hasn't been taken into consideration with the indicated kg.