

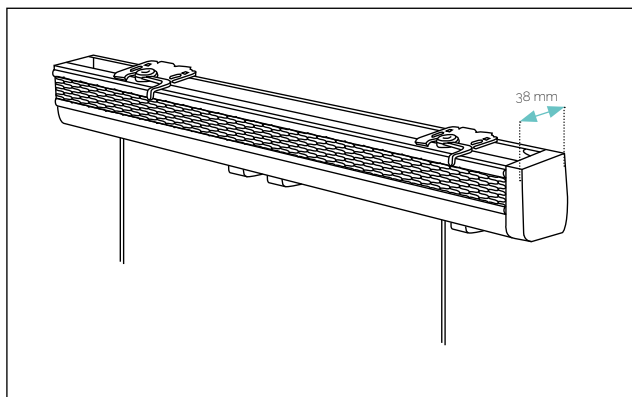
S H A D I N G
S P E C I A L I S T S

Tel: 0208 421 6605

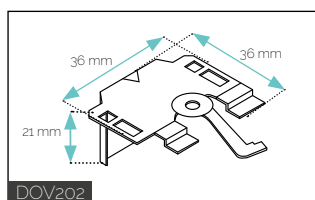
sales@shadingspecialists.co.uk

④ ROMAN SHADE SYSTEMS WITH ELECTRIC OPERATION

ELITE 12V (BATTERY MOTOR)

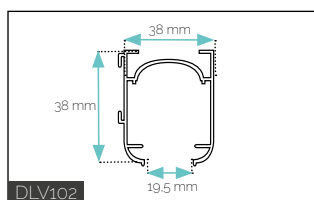


- Universal bracket
- Easy removing of the cords from the cylinder
- System with open underside of the headrail
- Motor 12V is integrated in profile and has an external rechargeable shell



DOV202

UNIVERSAL BRACKET



DLV102

PROFILE

MINIMUM AND MAXIMUM SIZES

MIN. WIDTH (CM)	MAX. WIDTH (CM)	MAX. HEIGHT (CM)	MAX. KG
62	250	200*	3.5

* The max. height for transparent fabrics is 250 cm.

PRICE ELITE 12V WITHOUT MOTOR

WIDTH (cm)	CYLINDERS	BRACKETS	PRICE WITHOUT COMPONENTS	PRICE WITH FG 6 MM	PRICE WITH ALU 8 MM	PRICE WITH ALU 5 MM
75	2	2	64	75	78	92
100	3	2	73	87	91	108
125	3	3	81	98	101	126
150	3	3	88	106	111	139
175	4	3	97	120	126	158
200	4	3	102	128	135	172
225	5	3	113	139	150	189
250	5	3	120	150	159	205

Standard we deliver fiberglass tubes 6 mm and alu bottom profile 20 x 6 mm.

If you want something else, please indicate it on the order form.

We always deliver the transparent rings (DOV907) and cord ends (DOV912) with systems with accessories.

For the prices for electric operation, see part automation

- All the intermediate sizes are rounded up to above
- Eventual friction loss hasn't been taken into consideration with the indicated kg.